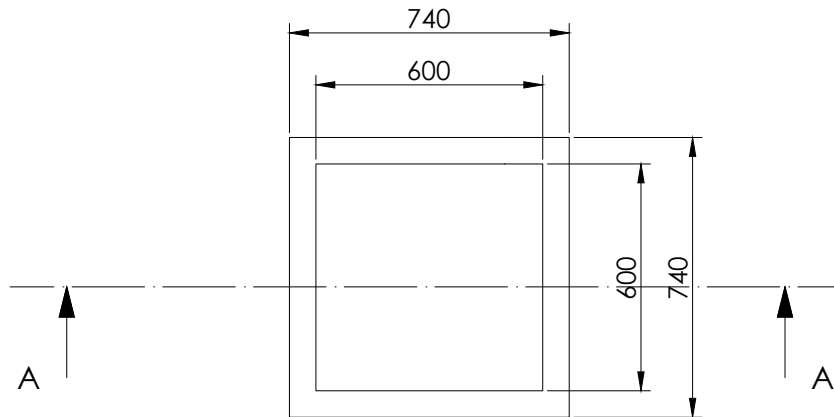


| type | Binnenmaat [mm / mm] | Buitenmaat [mm / mm] | Hoogte [mm] | Gewicht [kg] |
|-----------------|-------------------------|-------------------------|----------------|-----------------|
| VH 60 / 60 / 20 | 600 / 600 | 740 / 740 | 200 | 88 |

BOVENAANZICHT



A - A



© 2014, ecobeton water technologies nv/sa - all rights reserved

| | | | |
|---|--|--|--------------------|
|  | <h2>Verhoogstuk</h2> | versie | 01 |
| | | datum | 28/03/2014 |
| | | bestand | verhoogstukken.dwg |
| schaal 1:20 | reni Stropstraat 1 9000 Gent www.reni.be info@reni.be | 007050252 VH 60 / 60 / 20  | |