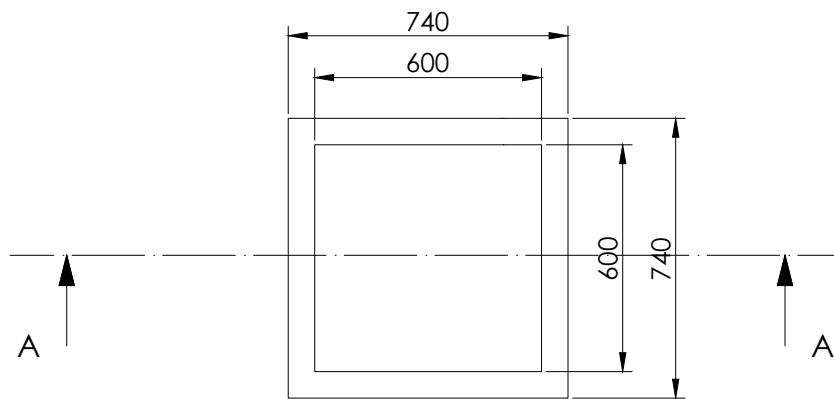


| type | Binnenmaat [mm / mm] | Buitenmaat [mm / mm] | Hoogte [mm] | Gewicht [kg] |
|-----------------|-------------------------|-------------------------|----------------|-----------------|
| VH 60 / 60 / 40 | 600 / 600 | 740 / 740 | 400 | 176 |

BOVENAANZICHT



A - A



© 2014, ecobeton water technologies nv/sa - all rights reserved



Verhoogstuk

| | |
|---------|--------------------|
| versie | 01 |
| datum | 28/03/2014 |
| bestand | verhoogstukken.dwg |

schaal
1:20

reni | Stropstraat 1 | 9000 Gent | www.reni.be | info@reni.be

007050254
VH 60 / 60 / 40

